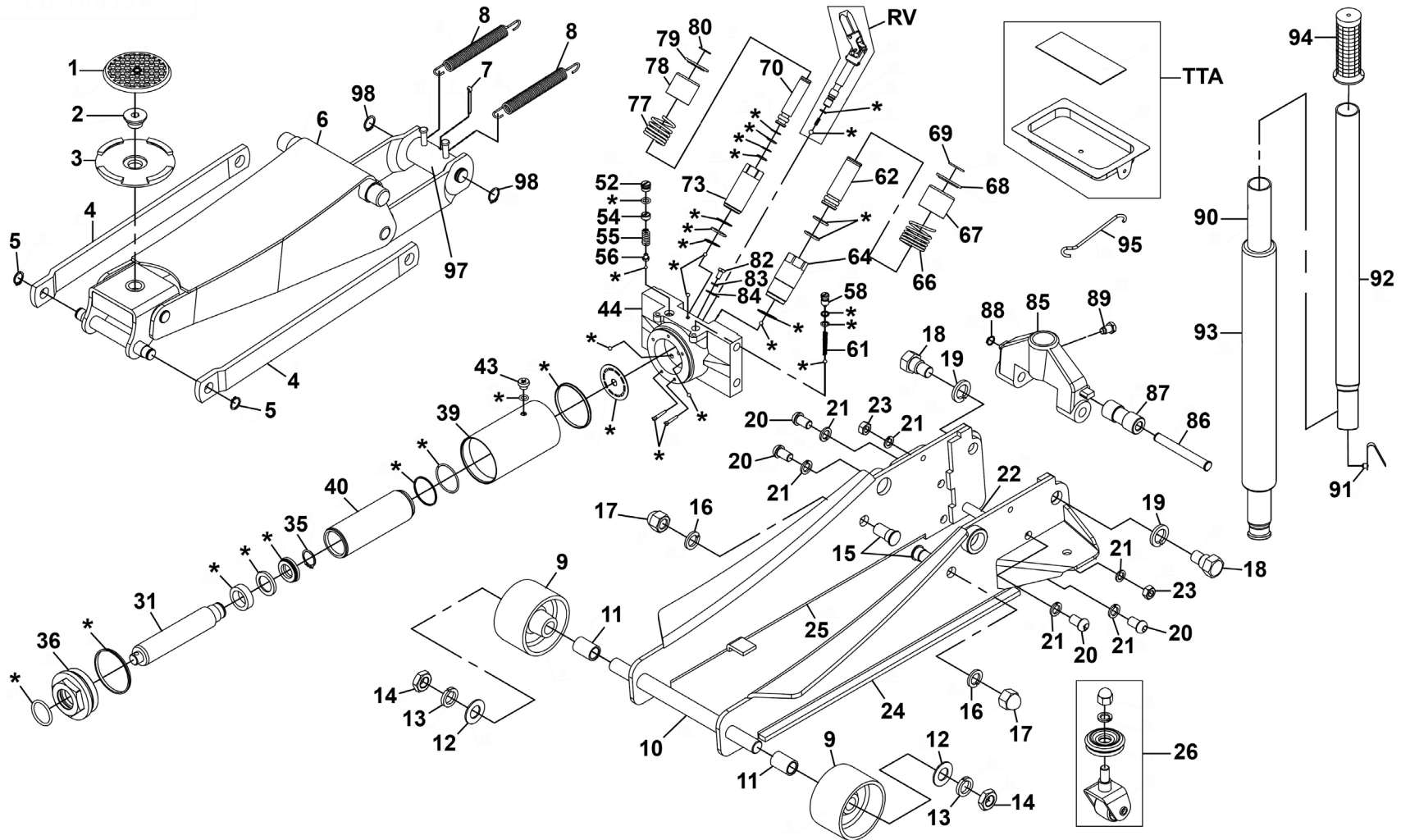




Parts Information:  
Trolley Jack 4 Tonne Rocket Lift  
Model No: 4040AB,R.V2 (G,Y,O.V3) SERIES



**NOTE:** It is our policy to continually improve products and as such we reserve the right to alter data, specifications and component parts without prior notice.

There may be alternative versions of this product, please contact us should you require this information.

**IMPORTANT:** No liability is accepted for incorrect use of product. Spare parts must be fitted by a competent person

**WARRANTY:** Guarantee is 12 months from purchase date, proof of which will be required for any claim.

Sealey Group, Kempson Way, Suffolk Business Park, Bury St Edmunds, Suffolk. IP32 7AR



01284 757500



sales@sealey.co.uk



www.sealey.co.uk



Parts Information:  
**Trolley Jack 4 Tonne Rocket Lift**  
**Model No: 4040AB,R.V2 (G,Y,O.V3)**  
**SERIES**

Item	Part No.	Description	Qty
1	JP17	Safety Rubber Jack Pad - Type B	1
2	4040A.02	Saddle Pin	1
3	4040A.03	Saddle, White Serrated (F) Ø 109mm	1
4	4040A.04	Radius Link	2
5	SQ0027	External Circlip 16.0mm ID.	2
6	4040AB.06	Lifting Arm Assembly 'Black' <b>(4040AB series only)</b>	1
6	4040AG.06	Lifting Arm Assembly 'Green' <b>(4040AG series only)</b>	1
6	4040AO.06	Lifting Arm Assembly 'Orange' <b>(4040AO series only)</b>	1
6	4040AR.06	Lifting Arm Assembly 'Red' <b>(4040AR series only)</b>	1
6	4040AY.06	Lifting Arm Assembly 'Yellow' <b>(4040AY series only)</b>	1
7	SQ0039	Cotter Pin	1
8	3001CXP.09	Return Spring	2
9	4040AB.09	Wheel, Front Fixed, Black (D: 92 W: 61 B: 18) <b>(4040AB series only)</b>	2
9	4040AG.09	Wheel, Front, Fixed w/fixings (D:92 W:55 B:23) <b>(4040AG series only)</b>	2
9	4040AO.09	Wheel, Front, Fixed c/w Fixings (D:92 W:55 B:23) <b>(4040AO series only)</b>	2
9	4040AR.09	Wheel, Front Fixed, Red (D: 92 W: 61 B:18) <b>(4040AR series only)</b>	2
9	4040AY.09	Wheel, Front, Fixed w/fixings (D:92 W:55 B:23) <b>(4040AY series only)</b>	2
10	4040A.10	Front Axle	1
11	4040A.11	Front Wheel Bushing	2
12	FWM18.S	Flat Washer M18 Zinc	2
13	SWM18.S	Spring Washer M18 Zinc	2
14	4040A.14	M18 Half Nut	2
15	SQ0089	Radius Link Stud	2
16	SWM16.S	Spring Washer M16 Zinc	2
17	SN16.SD	Steel Nut M16 Domed Zinc	2
18	4040A.18	Handle Socket Side Bolt	2

Item	Part No.	Description	Qty
19	SWM20.S	Spring Washer M20 Zinc	2
20	4040A.20	Button Head Socket Screw M12	4
21	SWM12.S	Spring Washer M12 Zinc	8
22	4040A.22	Frame Rod	1
23	SN12.S	Steel Nut M12 Zinc	2
24	4040A.24	Side Frame, Left	1
25	4040A.25	Side Frame, Right	1
26	4040AB.26	Wheel, Swivel Castor, Black (D: 42 W: 30 B: 16 H: 104) <b>(4040AB series only)</b>	2
26	4040AG.26	Wheel, Swivel Castor, w/fixings (D:43 W:28 H:90) <b>(4040AG series only)</b>	2
26	4040AO.26	Wheel, Swivel Castor W/Fixings (D: 44 W:28 B: 8 H: 102) <b>(4040AO series only)</b>	2
26	4040AR.26	Wheel, Swivel Castor, Red (D:42 W:28 B:8 H:100) <b>(4040AR series only)</b>	2
26	4040AY.26	Wheel, Swivel Castor w/fixings (D:43 W:28 H:94) <b>(4040AY series only)</b>	2
31	SQ0434	Ram Plunger	1
35	4040A.35	Retaining Ring	1
36	4040A.36	Top Nut	1
39	SQ0435	Reservoir	1
40	SQ0436	Cylinder	1
43	3001CXP.49	Oil Filler Plug Screw	1
44	SQ0437	Base	1
52	SQ0426	Guard Screw	1
54	SQ0427	Safety Valve Screw	1
55	SQ0438	Valve Spring	1
56	SQ0429	Ball Seat Valve	1
58	SQ0384	Valve Screw	1
61	2500LE.V3-62	Taper Spring Dia 8.4mm	1
62	4040TB.73	Pump Piston (B)	1
64	4040A.62	Pump Cylinder (Large)	1
66	2500LE.V3-67	Pump Core Spring (B) Dia 37.4mm	1
67	2500LE.V3-68	Spring Sleeve (B)	1

**NOTE:** It is our policy to continually improve products and as such we reserve the right to alter data, specifications and component parts without prior notice. There may be alternative versions of this product, please contact us should you require this information.

**IMPORTANT:** No liability is accepted for incorrect use of product. Spare parts must be fitted by a competent person

**WARRANTY:** Guarantee is 12 months from purchase date, proof of which will be required for any claim.

Sealey Group, Kempson Way, Suffolk Business Park, Bury St Edmunds, Suffolk. IP32 7AR



01284 757500



sales@sealey.co.uk



www.sealey.co.uk



Parts Information:  
**Trolley Jack 4 Tonne Rocket Lift**  
**Model No: 4040AB,R.V2 (G,Y,O.V3)**  
**SERIES**

Item	Part No.	Description	Qty
68	2500LEV3-69	Spring Stop Plate (B)	1
69	2500LEV3-70	Spring Stop Plate Ring (B)	1
70	2500LEV3-71	Pump Piston (A)	1
73	2500LEV3-74	Pump 'A'	1
77	2500LEV3-78	Pump Core Spring (A) Dia 33.5mm	1
78	2500LEV3-79	Spring Sleeve (A)	1
79	2500LEV3-80	Spring Stop Plate (A)	1
80	4040A.78	Snap Ring	1
82	SS612.S	Hex Head Set Screw M6 X 12 Zinc	1
83	SWM6.S	Spring Washer M6 Zinc	1
84	2500LEV3-84	Flat Washer (26 x 17 x t3)	1
85	4040A.83N	Handle Socket	1
86	4040A.84	Handle Socket Pin	1
87	4040A.85	Handle Socket Roller	1

Item	Part No.	Description	Qty
88	2500LEV3-93	External Circlip 12.0mm ID.	1
89	4040A.87N	Handle Socket Bolt	1
90	4040A.89N	Lower Handle (c/w Part 92)	1
91	2001LERE.V2-92	Handle Lock Button	1
92	4040A.91N	Upper Handle (c/w Part 93)	1
93	2500LEV3-100	Handle Sleeve	1
94	2500LEV3-98	Handle Grip	1
95	4040A.94N	Hook	1
97	SQ0422	Lifting Arm Rod	1
98	SQ0031	Snap Ring 19mm	2
RV	4040A-V3-RV	Release Valve Assembly	1
TTA	4040A-V3-TTA	Tool Tray Assembly	1
--	4040A-V3-RK	Repair Kit (all items marked '*')	1
--	4040A-V3-HU	Hydraulic Unit Complete ( <b>not shown</b> )	1

**NOTE:** It is our policy to continually improve products and as such we reserve the right to alter data, specifications and component parts without prior notice. There may be alternative versions of this product, please contact us should you require this information.

**IMPORTANT:** No liability is accepted for incorrect use of product. Spare parts must be fitted by a competent person

**WARRANTY:** Guarantee is 12 months from purchase date, proof of which will be required for any claim.

**Sealey Group**, Kempson Way, Suffolk Business Park, Bury St Edmunds, Suffolk. IP32 7AR



01284 757500



sales@sealey.co.uk



www.sealey.co.uk